

T5-HO/T8 HI-BAYS

**Cost
Less
Lighting**

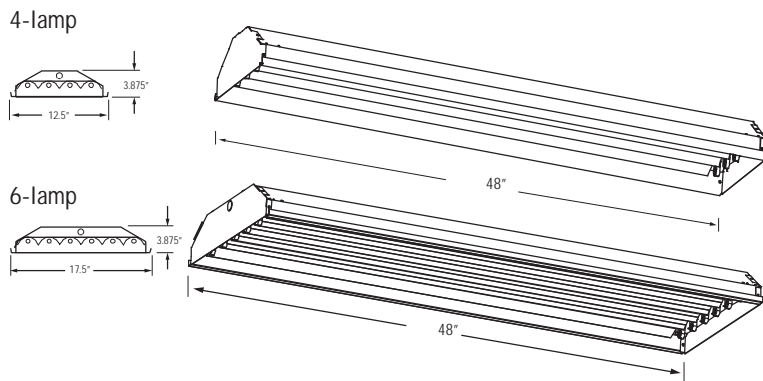
4-Lamp



6-Lamp



DIMENSIONS



ORDERING INFORMATION

Part No.	# of lamps	Input Voltage	Reflector Type	Wattage
07-HBL-4T5HO	4	120 - 277	95% Reflective Aluminum	54W T5HO
07-HBL-6T5HO	6	120 - 277		
07-HBL-4T8	4	120 - 277	95% Reflective Aluminum	32W T8
07-HBL-6T8	6	120 - 277		

OPTIONS

When ordering, specify suffix:

"OS" for Occupancy Sensors

"WG" for Wire Guard "11 Gage"

"CL" for Clear Acrylic Lens "Gasketed Door"

Optional emergency ballasts and cord sets available;

"Reloc" and other wiring systems also available, consult factory

FEATURES

- Four or six T8 or T5HO lamp positions
- Quick Disconnect Standard: Meets 2009 Code Requirements
- Precision-formed beveled reflector to achieve maximum light output Delivers either 20,000 lumens from four economical 54-watt H.O. lamps, or 30,000+ lumens from six lamps; replaces H.I.D. fixtures on a one-for-one basis.
- Hinged Ballast Access Panels on top of fixture-standard
- Fixtures designed for surface, pendant, chain or stem mounting
- Optional wireguard with innovative fastener design allows for easy lamp access
- Die-formed heavy-gauge cold rolled steel
- Post-painted white housing with either anodized or white aluminum reflector
- Multiple KOs and access plate on back for rapid wiring
- Mounting hardware included
 - Two "V-hangers"
 - Two 48-inch chains



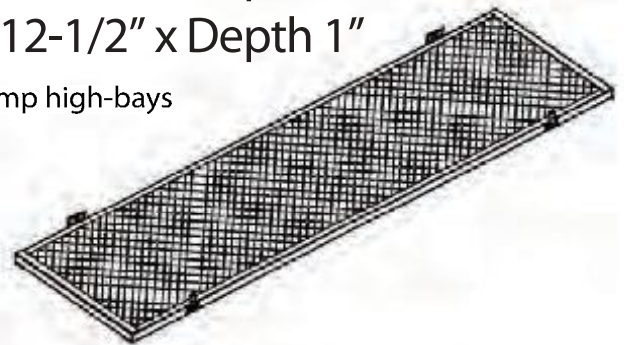
T5-HO/T8 HI-BAYS

Description: STEEL DOOR FRAME WITH CLEAR **SHATTERPROOF** ACRYLIC LENS FULLY GASKETED FOR HIGH BAY

07-HB-DF6 - Length 48" x Width 16-1/2" x Depth 1"

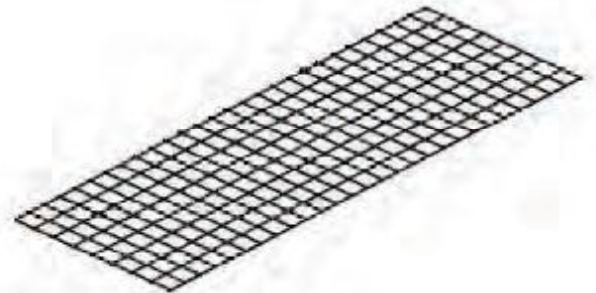
07-HB-DF4 - Length 48" x Width 12-1/2" x Depth 1"

Dimensions for 4 lamp and 6 lamp high-bays



Description: STEEL WIRE GUARD FOR HI-BAY WITH WHITE FINISH AND 4 CLIPS AND 2 SCREWS

Material: Steel Thickness of wire: 11 Gage



07-HB-WG-6 - Length 48" x Width 17-4/5" x Depth 1/4"

07-HB-WG-4 - Length 48" x Width 12-3/4" x Depth 1/4"

Dimensions for 4 lamp and 6 lamp high-bays



T5-HO/T8 HI-BAYS

Zonal Cavity Coefficients - 432T8-MT

Lamp	4-Lamp, 32-Watt, T8 fixture - 2950 Lumens								
RC	.80			.50			.30		
Wall Refl	.70	.50	.30	.50	.30	.10	.50	.30	.10
0	1.10	1.10	1.10	1.01	1.01	1.01	0.96	0.96	0.96
1	1.02	0.97	0.93	0.90	0.87	0.84	0.85	0.83	0.81
2	0.94	0.86	0.80	0.80	0.75	0.71	0.75	0.71	0.68
3	0.86	0.76	0.69	0.71	0.65	0.60	0.66	0.62	0.57
4	0.79	0.68	0.59	0.62	0.56	0.51	0.60	0.54	0.50
5	0.73	0.61	0.52	0.57	0.51	0.45	0.54	0.48	0.43
6	0.68	0.55	0.46	0.51	0.44	0.39	0.49	0.43	0.39
7	0.63	0.50	0.42	0.47	0.40	0.38	0.45	0.39	0.35
8	0.59	0.47	0.38	0.43	0.36	0.32	0.41	0.36	0.31
9	0.55	0.43	0.35	0.40	0.33	0.29	0.38	0.33	0.28
10	0.52	0.52	0.32	0.37	0.31	0.26	0.36	0.30	0.26
Zone	Lumens			% Lamp			% Fixt		
0-30	5045			28.5			30.2		
0-40	8000			45.2			47.9		
0-60	13664			77.2			81.9		
0-90	16656			94.1			99.8		
90-180	35			0.2			0.2		
0-180	16691			94.3			100.0		
Spacing criteria: Across = 1.2; Along = 1.3									

Zonal Cavity Coefficients - 454HO-MT

Lamp	4-Lamp, 54-Watt, T5HO fixture - 5000 Lumens								
RC	.80			.50			.30		
Wall Refl	.70	.50	.30	.50	.30	.10	.50	.30	.10
0	1.19	1.19	1.19	1.08	1.08	1.08	1.02	1.02	1.02
1	1.11	1.06	1.03	0.98	0.95	0.93	0.93	0.91	0.89
2	1.03	0.95	0.89	0.88	0.84	0.80	0.84	0.80	0.77
3	0.95	0.85	0.78	0.78	0.73	0.68	0.76	0.71	0.67
4	0.88	0.77	0.69	0.72	0.65	0.60	0.69	0.63	0.59
5	0.81	0.70	0.61	0.65	0.59	0.54	0.62	0.56	0.52
6	0.76	0.64	0.56	0.60	0.53	0.47	0.58	0.52	0.47
7	0.71	0.59	0.50	0.54	0.48	0.43	0.54	0.48	0.43
8	0.67	0.54	0.45	0.51	0.44	0.39	0.50	0.44	0.40
9	0.63	0.50	0.42	0.48	0.42	0.37	0.46	0.40	0.35
10	0.60	0.46	0.39	0.44	0.38	0.33	0.43	0.37	0.33
Zone	Lumens			% Lamp			% Fixt		
0-30	8380			41.9			38.2		
0-40	12460			62.3			56.7		
0-60	19220			96.1			87.5		
0-90	21700			108.5			98.8		
90-180	260			1.3			1.2		
0-180	21960			109.8			100.0		
Spacing criteria: Across = 0.9; Along = 1.3									

Zonal Cavity Coefficients - 632T8-MT

Lamp	6-Lamp, 32-Watt, T8 fixture - 2950 Lumens								
RC	.80			.50			.30		
Wall Refl	.70	.50	.30	.50	.30	.10	.50	.30	.10
0	1.18	1.18	1.18	1.11	1.11	1.11	1.05	1.05	1.05
1	1.09	1.05	1.01	0.98	0.95	0.92	0.94	0.92	0.90
2	1.00	0.9	0.85	0.87	0.82	0.78	0.84	0.80	0.76
3	0.92	0.82	0.73	0.77	0.71	0.66	0.74	0.69	0.63
4	0.84	0.72	0.63	0.69	0.61	0.56	0.67	0.61	0.55
5	0.77	0.65	0.55	0.62	0.55	0.49	0.60	0.54	0.48
6	0.71	0.58	0.49	0.55	0.48	0.42	0.54	0.48	0.42
7	0.66	0.53	0.44	0.51	0.43	0.38	0.50	0.43	0.38
8	0.60	0.47	0.39	0.45	0.38	0.33	0.44	0.38	0.32
9	0.56	0.43	0.35	0.41	0.34	0.30	0.41	0.35	0.29
10	0.52	0.39	0.31	0.38	0.32	0.26	0.37	0.31	0.27
Zone	Lumens			% Lamp			% Fixt		
0-30	8380			41.9			38.2		
0-40	12460			62.3			56.7		
0-60	19220			96.1			87.5		
0-90	21700			108.5			98.8		
90-180	260			1.3			1.2		
0-180	21960			109.8			100.0		
Spacing criteria: Across = 0.9; Along = 1.3									

Zonal Cavity Coefficients - 654HO-MT

Lamp	6-Lamp, 54-Watt, T5HO fixture - 5000 Lumens								
RC	.80			.50			.30		
Wall Refl	.70	.50	.30	.50	.30	.10	.50	.30	.10
0	1.18	1.18	1.18	1.09	1.09	1.09	1.03	1.03	1.03
1	1.10	1.05	1.01	0.97	0.94	0.91	0.92	0.90	0.88
2	1.01	0.93	0.87	0.87	0.82	0.78	0.83	0.79	0.75
3	0.93	0.83	0.74	0.77	0.71	0.66	0.74	0.69	0.65
4	0.86	0.74	0.66	0.70	0.63	0.58	0.67	0.61	0.56
5	0.80	0.67	0.58	0.63	0.56	0.51	0.61	0.55	0.50
6	0.74	0.61	0.53	0.57	0.50	0.44	0.55	0.48	0.44
7	0.69	0.56	0.47	0.53	0.46	0.40	0.50	0.44	0.39
8	0.65	0.52	0.43	0.48	0.41	0.36	0.47	0.40	0.36
9	0.61	0.47	0.39	0.45	0.38	0.33	0.43	0.37	0.33
10	0.57	0.45	0.36	0.42	0.35	0.31	0.41	0.34	0.30
Zone	Lumens			% Lamp			% Fixt		
0-30	11220			37.4			34.3		
0-40	17430			58.1			53.3		
0-60	28260			94.2			86.3		
0-90	33090			110.3			101.1		
90-180	300			1.0			0.9		
0-180	32730			109.1			100.0		
Spacing criteria: Across = 0.9; Along = 1.3									